



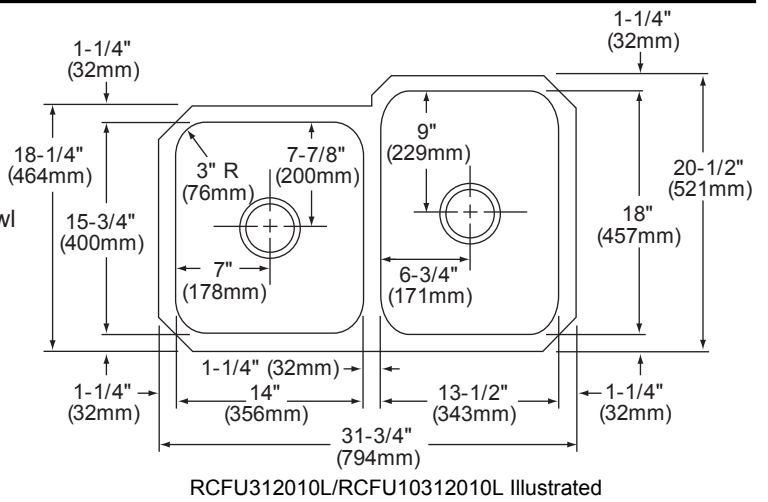
Undermount Model Double Bowl Sink

RCFU312010L/R, RCFU5312010LU/RU and RCFU20312010L/R

Specifications

FEATURES:

- 18 (1.2mm) gauge nickel-bearing stainless steel
- 8" (203mm) deep small bowl, 10" (254mm) deep large bowl
- Soft Satin finish
- 3-1/2" (89mm) drain opening
- Sound dampening pad with full spray undercoating
- Suffix L (left) or R (right) denotes location of the small bowl
- Minimum cabinet size: 36" (914mm)



Sink complies with ASME A112.19.3/ CSA B45.4

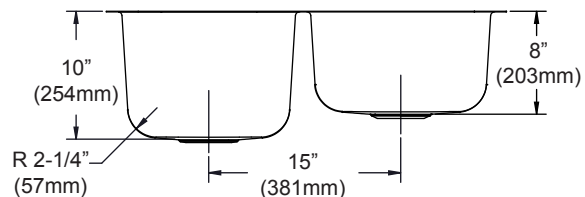
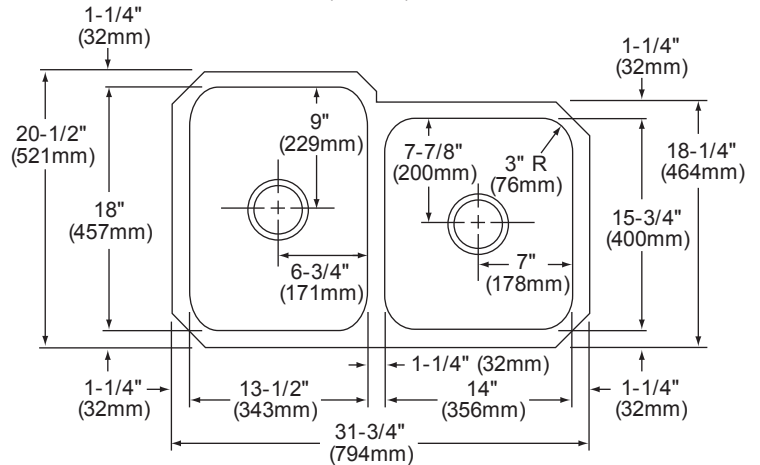
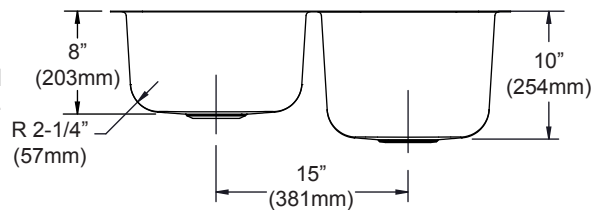
 Sinks are listed by IAPMO® as meeting the applicable requirements of the Uniform Plumbing Code®, International Plumbing Code®, and National Plumbing Code of Canada.

RCFU5312010L/RCFU5312010R sink is nested 5 units in a UPS certified shipping box and must be ordered in multiples of 5.

RCFU20312010L/RCFU20312010R sink is nested 20 units per shipping container (four 5 packs) and must be ordered in multiples of 20.

OPTIONAL ACCESSORIES:

- Bottom Grid: GBG1318SS (large bowl), GBG1415SS (small bowl)
- Drain: S1
- Mounting Clip: RVUCLIP8 (2 packages required)
- Template: 1000001478 (for L models)
1000001477 (for R models)



In keeping with our policy of continuing product improvement, Revere reserves the right to change product specifications without notice. Please visit Reveresinks.com for the most current version of Revere product specification sheets.

This specification describes a Revere product with design, quality, and functional benefits to the user. When making a comparison of other producers' offerings, be certain these features are not overlooked.