



# Undermount Model Single Bowl Sink RCFU2115, RCFU52115U and RCFU202115

## Specifications

### FEATURES:

- 18 (1.2mm) gauge nickel-bearing stainless steel
- 8" (203mm) deep
- Soft Satin finish
- 3-1/2" (89mm) drain opening
- Sound dampening pad with spray undercoating
- Minimum cabinet size: 27" (686mm)
- Sink complies with ASME A112.19.3-2008 / CSA B45.4-08



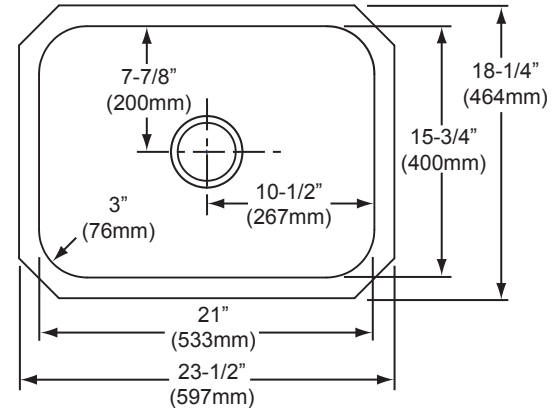
These sinks are listed by the International Association of Plumbing and Mechanical Officials as meeting the requirements of the Uniform Plumbing Code and the National Plumbing Code of Canada.

**RCFU52115U** sink is nested 5 units in a UPS certified shipping box and must be ordered in multiples of 5.

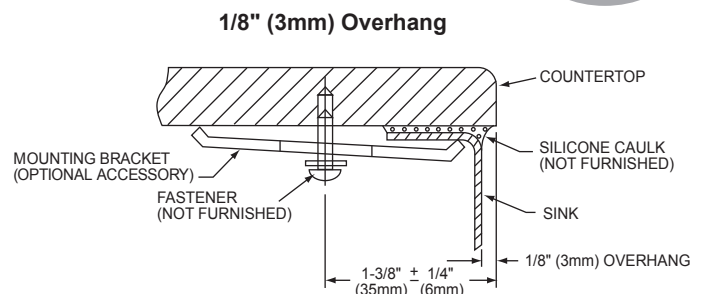
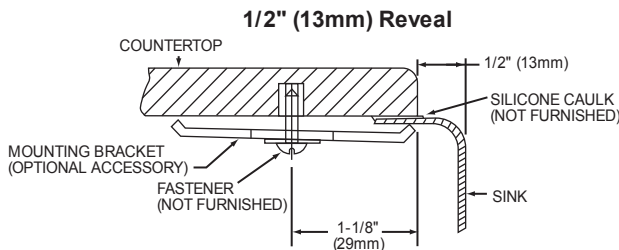
**RCFU202115** sink is nested 20 units per shipping container (four 5 packs) and must be ordered in multiples of 20.

### OPTIONAL ACCESSORIES:

- Bottom Grid: GBG2115SS
- Cutting Board: RCB1516  
*Sink must be installed with a 1/2" (13mm) reveal for cutting board to fit properly.*
- Drain: S1
- Mounting Clip: RVUCLIP8
- Template: 64180283



### Electronic Dual Template Mounting Option (Download DXF File from [www.reveresink.com](http://www.reveresink.com))



**NOTE: THIS UNDERMOUNT SINK IS DESIGNED TO MOUNT TO SOLID SURFACE (NON-LAMINATE) COUNTERTOP ONLY.**



In keeping with our policy of continuing product improvement, Revere reserves the right to change product specifications without notice.

This specification describes a Revere product with design, quality and functional benefits to the user. When making a comparison of other producers' offerings, be certain these features are not overlooked.

Revere • 2222 Camden Ct. • Oak Brook, IL 60523 • [reveresink.com](http://reveresink.com) • Tel: (800) 225-8585 • Fax: (630) 645-4447